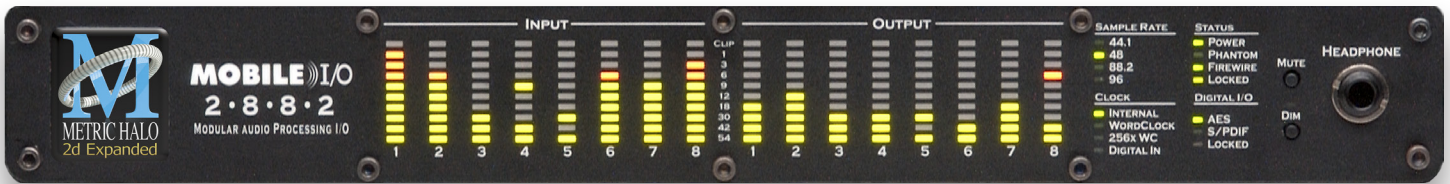




2882 2d Expanded

Compact and Portable – Remarkable Sound



Mobile I/O – The Original and Still the Best

Originally released in 2001, the Mobile I/O 2882 truly is the first digitally controlled FireWire interface designed specifically for the Macintosh.

The Granddaddy of them all, the 2882 just keeps getting better. A seminal piece of gear, the feature set of the 2882 represents a list of firsts in the industry. The 2882 was the first Mac-only FireWire interface on the market and was the first bus-powerable FireWire interface ever — 9 years and counting! It is also the first (and only) FireWire interface to offer onboard fully instantiable DSP processing with our unique +DSP processing environment. The first 96k FireWire interface, and the first to feature digitally controlled analog stages, the 2882 has inspired an entire genre of gear.

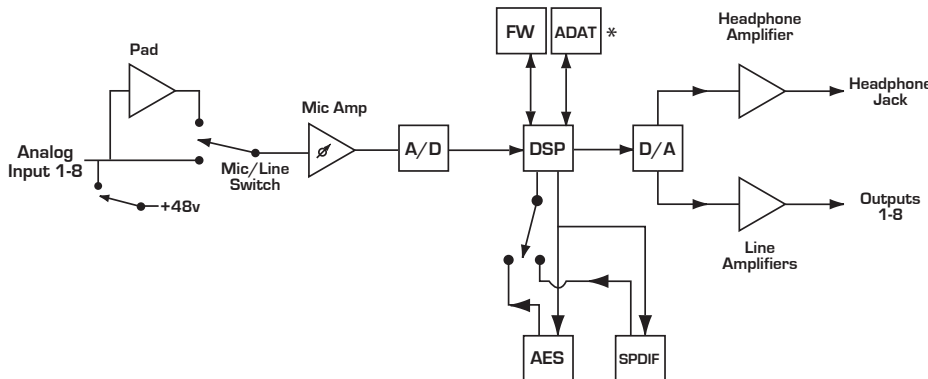
Take a look at some other products on the market and you are sure to find numerous features and approaches originally invented by Metric Halo. As they say, imitation is the sincerest form of flattery, and as we look around the now-crowded FireWire interface market, we're happy to say that we're truly flattered!

Now, with the introduction of the 2882 Expanded, with integrated 2d Card, the 2882 jumps ahead of its competition again.

Mobile I/O 2882 brings power, portability and sheer sound quality to any recording/editing/mixing system. With exceptional mixing, recall and level control, the Mobile I/O 2882 allows you to seamlessly interface with the audio world, both in the field and in the studio.

Key Features

- 8 Mic/Line/Instrument analog inputs (4 XLR, 4 TRS connectors)
- 8 analog outputs on TRS connectors
- 24bit/96k converters on all channels
- Headphone amp with front panel mute/dim
- Full front panel metering
- Remote level control on all channels
- AES-S/SPDIF Digital I/O with selectable SRC
- Optical Digital I/O switchable between ADAT and Toslink format
- Onboard 80-bit multibus mixer for near-zero latency mixing and routing
- DC power system for wall, FireWire bus and battery operation world-wide
- Total recall with MIO Console
- FireWire Connectivity
- Compact, convenient, and the best value in pro audio today!



* Optical I/O can be switched between ADAT and Toslink formats independently

2882

Block Diagram
Rev. 1.0



Copyright © 2002-2010 Metric Halo Distribution Inc. Mobile I/O, 2882 and Metric Halo are our trademarks. FireWire is a trademark of Apple Computer, Inc. All other trademarks are the property of their respective owners. These specifications are subject to change without notice. Check the website for the most up-to-date info.

<http://www.mhlab.com> • in-foo@mhlab.com • tel [845] 223-6112 • fax [603] 250-2451